



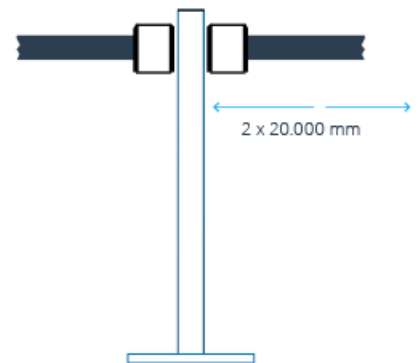
Pict. 1: ALA 0022 (post: yellow)

Mobile barrier post with extendable and self-retracting belt for temporary or permanent blocking of certain areas or controlling the flow of people.

Ideal for fast, flexible barrier situations over long distances, as it is equipped with a reflective rope, stop function and slow restrictor.

TECHNICAL SPECIFICATIONS

post tube:	Metal, powder coated
base:	Cast, metal
total weight:	ca. 60 kg
finish drum unit type GLW 2011	sturdy plastic case
measures drum unit (L x W x H)	approx. 300 x 260 x 200 mm
weight drum unit:	approx. 3.0 kg
delivery:	pre-assembled
rope colour:	yellow, with reflective core element
max. rope length per drum unit:	20.000 mm



POST COLOUR

Different standard colours available.



BELT COLOUR

Yellow, with reflective core element



PRODUCT SAFETY DATASHEET

Product name:	see product data sheet
Article number:	see product data sheet
Manufacturer:	R. Scholz GmbH & Co. KG
Address:	Boschweg 34, 48351 Everswinkel
Telephone number:	+49 (0) 25 82 / 90 28 700
Electronic Address:	info@rs-guidesystems.de

PRODUCT DESCRIPTION

Mobile barrier post with extendable and self-retracting belt.

APPLICATION

For temporary or permanent blocking of certain areas or controlling the flow of people.

SAFETY INFORMATION

- This is not a toy.
- For a secure stand, use on suitable ground surfaces only.
- Do not extend the rope beyond the maximum length.
- After extending the rope to the desired length, ensure that the rope end is properly attached to a suitable counterpart.
- Despite slow restrictor and automatic rewind feature, always guide the rope back by hand until full retraction.
- Materials: Metal, plastic, (partly recycled).

HAZARD WARNINGS

- No known hazards if used and operated as intended.
- Improper use or incorrect handling can lead to injuries to the operator or in the surrounding area.
- Do not open the drum unit! The tape retraction is based on a spring/tension system with extremely high tension and may spring apart uncontrollably when being opened!
- Choking hazard for small parts.

INSTRUCTION FOR USE

- Check for damage before use.
- Do not use if damaged or worn.

- Set up the barrier at the selected location.
- Pull out and attach the rope end to a suitable counterpart.

CARE INSTRUCTIONS

- If necessary, wipe with a damp cloth.
- Do not drown in water.
- Allow wet webbing to dry before retracting.

DISPOSAL INSTRUCTIONS

- The product should be disposed of in accordance with the local waste regulations. Individual components can be recycled separately.

CONTACT INFORMATION

The **RS-GUIDESYSTEMS**-Team will be happy to answer any questions or provide further information on demand.

SUBJECT TO TECHNICAL MODIFICATIONS AT ANY TIME // 11/2024